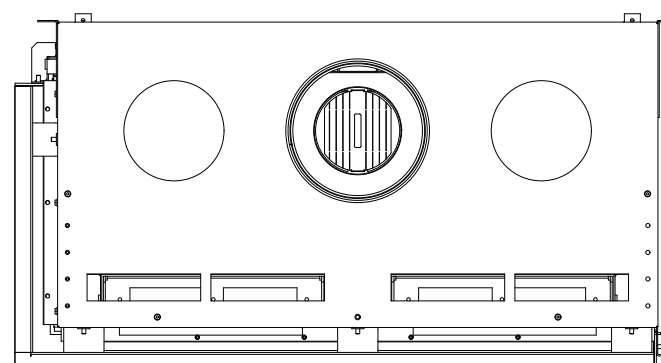
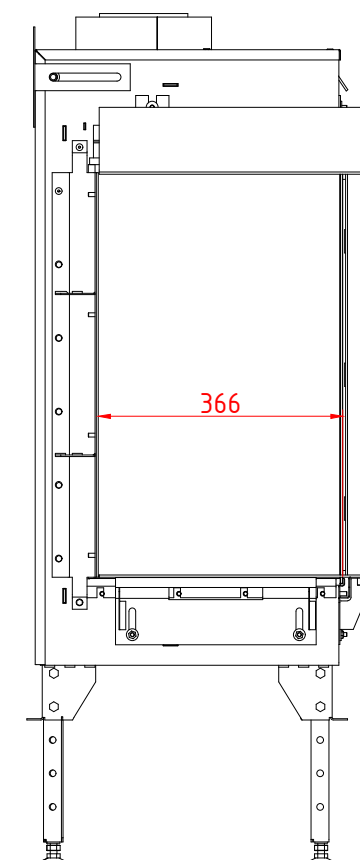
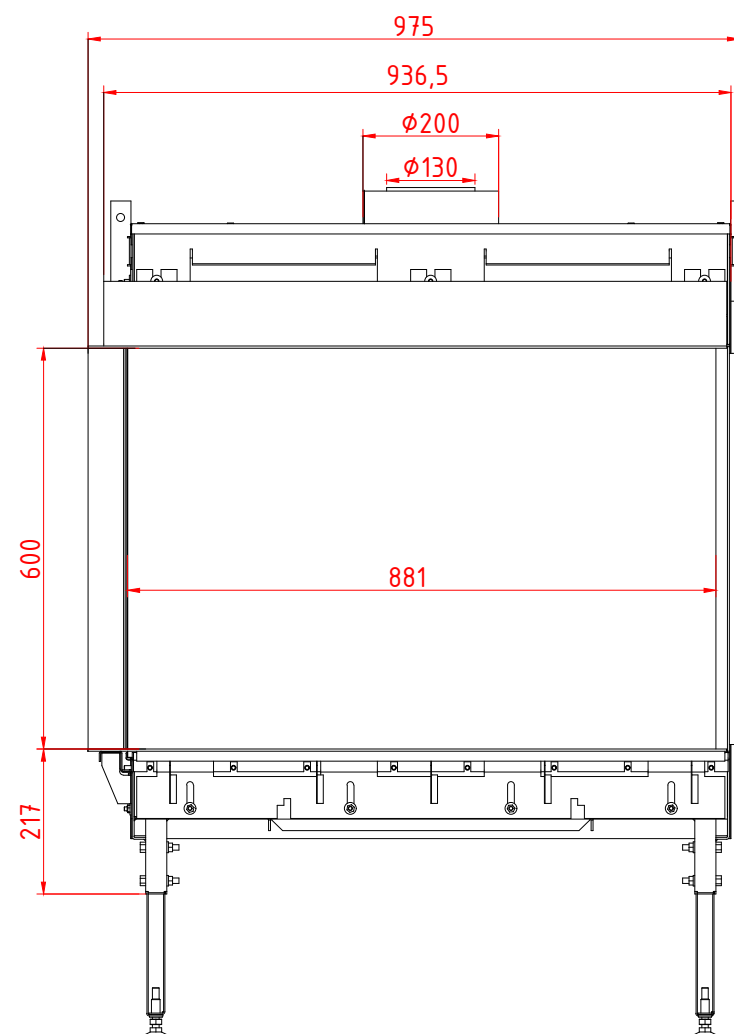
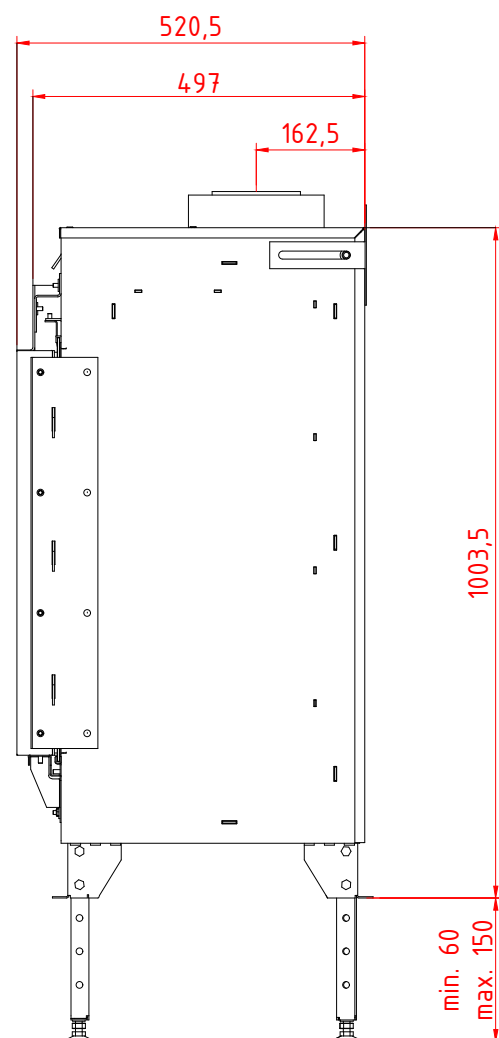


	product	qty
BOK	Monroe 900 LF BS, GLS , LPG- XX	1



Fuel type - G30/31 (LPG - 37mbar)

Maximal gas rate- ~0,96 kg/h

Heat input (Hi)- ~9,2 kW

Fire view- [LF]- Left Front

Interior finish- [BG] - Black Glass

Decorative elements [GLS] - Gas Logs Set

Installation place- [XX]- XX

Flue system- concentric

Control- Remote control or SHS

Combustion system- close

Power supply- 230V, 50Hz with grounded cable